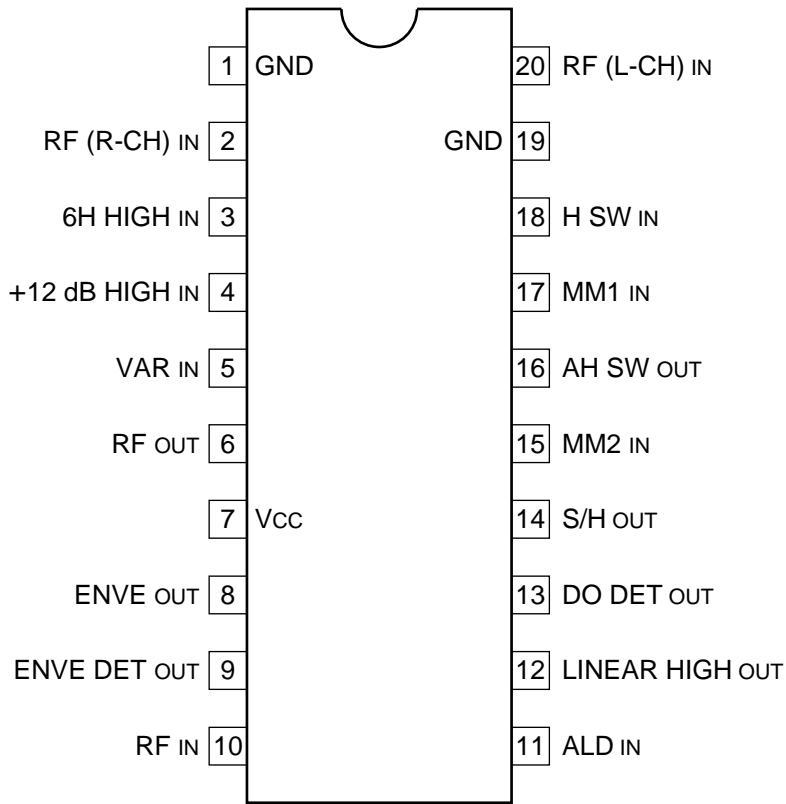


## VTR FM AUDIO RF AMP

—TOP VIEW—

**INPUT**

ALD : AUTO LINEAR DETECT  
 H SW : HOLD SWITCH  
 MM1, MM2 : MONO MULTI  
 VAR : VARIABLE AMP CONTROL

**OUTPUT**

AHSW : AUDIO HOLD SWITCH  
 DO DET : DROP OUT DETECT  
 ENVE : ENVELOPE  
 ENVE DET : ENVELOPE DETECTOR

